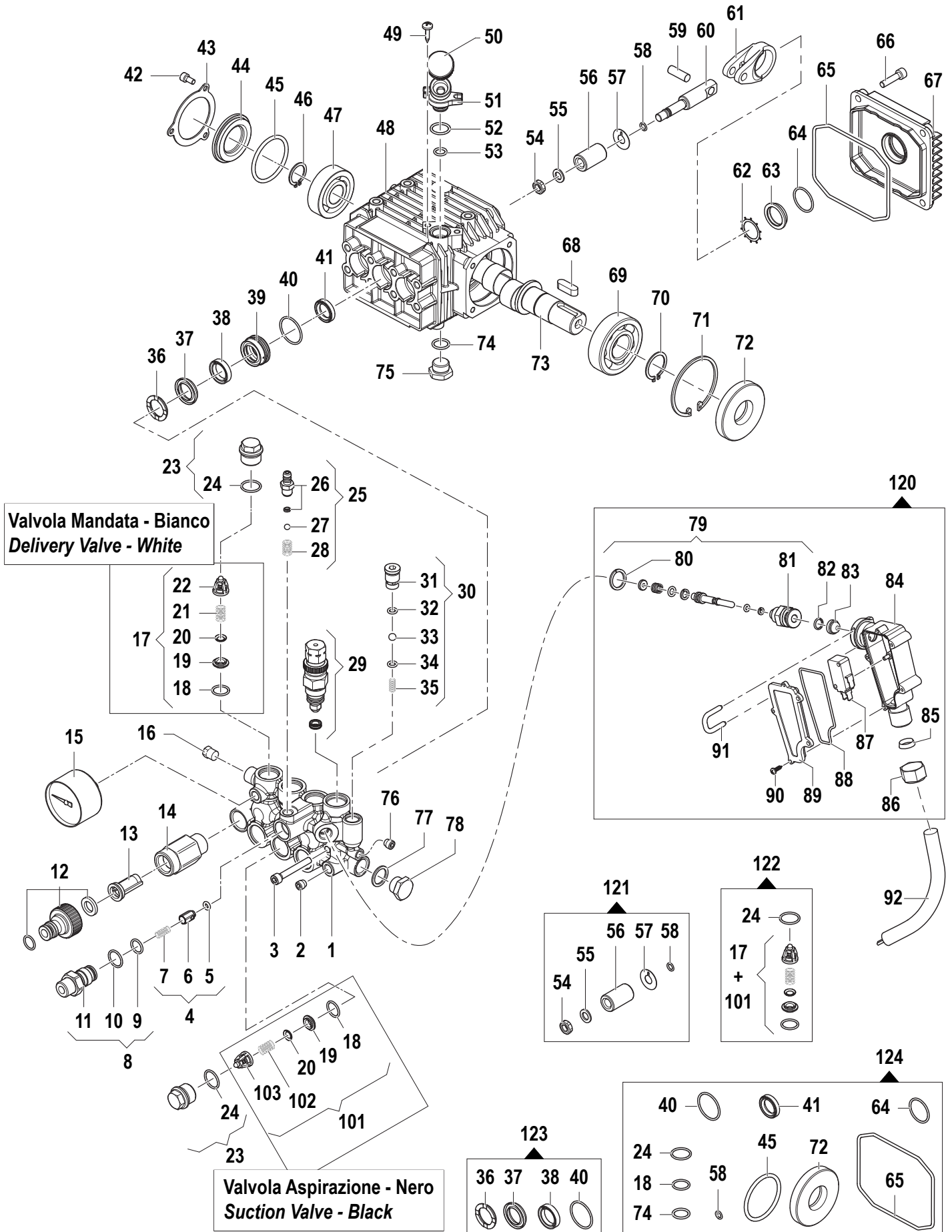


N°	Cod.	Descrizione	Description	Note	Q.ty	Model
1	6300 0369	Pompa	Pump	LW-K K250	1	11/110
	6300 1258	Pompa	Pump	LW-K K250	1	15/150
	6300 1156	Pompa	Pump	LW-K K250	1	9/130TS
	6300 0366	Pompa	Pump	LW-K K250	1	11/110TS
	6300 2102	Pompa	Pump	LW-K K250	1	12/100TS
	6300 0367	Pompa	Pump	LW-K K250	1	10/140TS
	6300 0867	Pompa	Pump	LW-K K250	1	13/170TS
	6300 1257	Pompa	Pump	LW-K K250	1	15/150TS
	6300 1352	Pompa	Pump	LW-K K250	1	11/190TS
	2	1831 0624	Motore Elettrico	Electric Motor	MNF 230V 50/60Hz - 3CV	1
1831 0592		Motore Elettrico	Electric Motor	MNF 230V 50/60Hz - 3,3CV	1	10/140TS
1831 0658		Motore Elettrico	Electric Motor	TRF 400V 50/60Hz - 5,5CV	1	13/170TS 15/150TS 11/190TS
1831 0657		Motore Elettrico	Electric Motor	TRF 400V 50/60Hz - 5,5CV	1	15/150

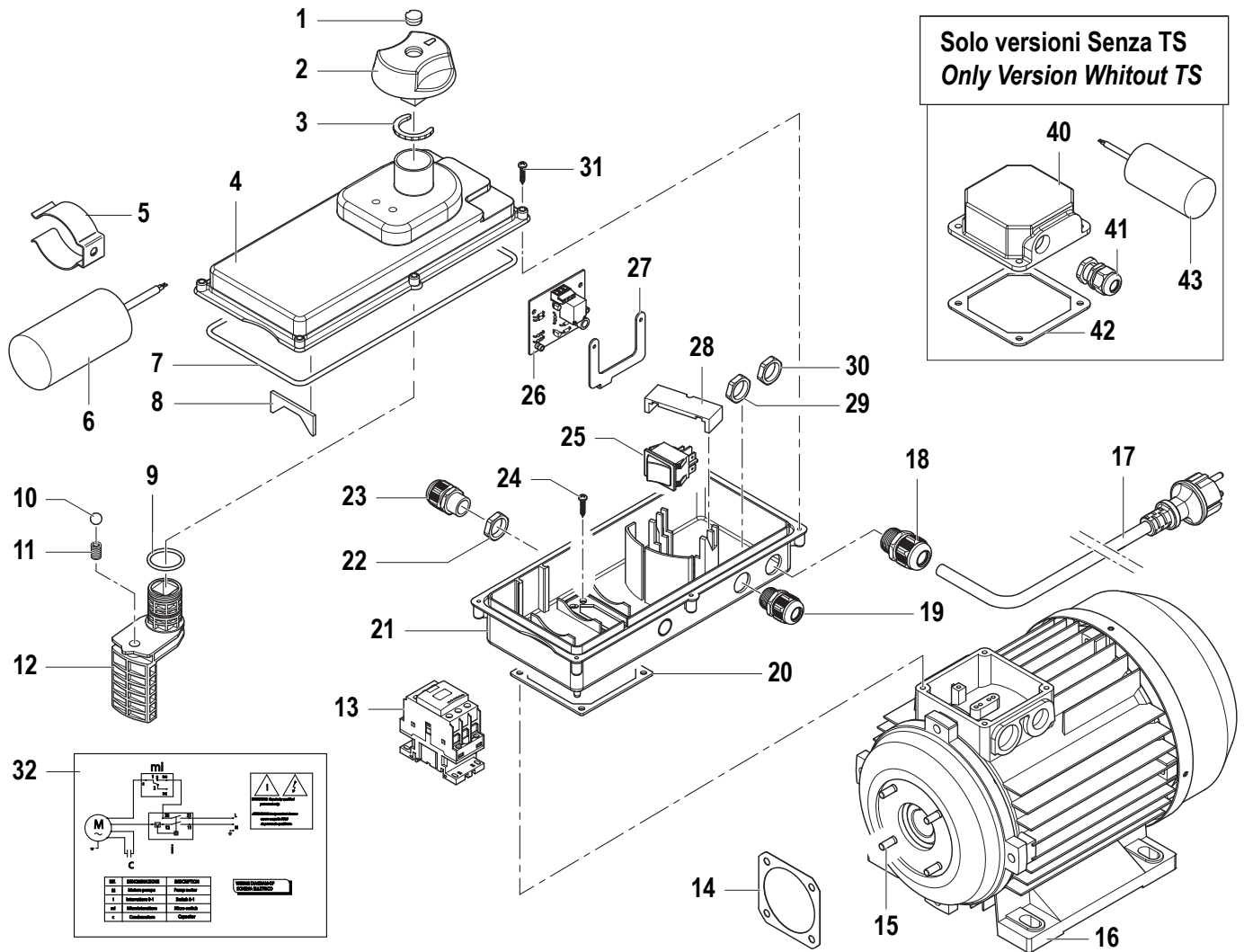


N°	Cod.	Descrizione	Description	Note	Q.ty	Model
1	3218 0469	Testata Pompa Ottone	Brass Pump Manifold		1	
2	3622 0057	Vite senza Testa Es. Inc.	Stop Adjustable Nut	M8x1	1	
3	3609 0090	Vite	Screw	M6x45	8	
4	2409 0154	Kit Pistone NON Ritorno	Check Valve Kit		1	
5	1210 0446	Guarnizione OR	O-Ring	Ø2,4x4,3	1	
6	2409 0086	Pistone NON Ritorno	Check Valve		1	
7	1802 0197	Molla	Spring		1	
8	3410 0319	Kit Eiettore	Injector Body Kit	Ø1,8 M22x1,5	1	
9	1210 0049	Guarnizione OR	O-Ring	Ø1,75x12,42	1	
10	1210 0040	Guarnizione OR	O-Ring	Ø1,78x15,6	1	
11	3410 0311	Eiettore	Injector Body	Ø1,8 M22x1,5	1	
12	2803 0325	Kit Raccordo Aspirazine	Quick Coupler Kit		1	
13	1002 0132	Filtro Acqua	Water Filter		1	
14	2000 0127	Nipplo	Nipple	M-M G1/2"- 3/4"	1	
15	1816 0136	Manometro	Gauge	Ø50 0-30 G1/8"	1	
16	3202 0018	Tappo	Plug	G1/8"	1	
17	1220 0199	Gruppo Valvola Mandata	Delivery Valve Ass.y kit	Bianca / White	3	
18	1210 0415	Guarnizione OR	O-Ring	Ø1,78x12,42	6	
19	3009 0170	Sede Valv. Aspir./Mand.	Suct./Del. Valve Seat		6	
20	3604 0028	Valvola Aspir./Mand.	Suct./Del. Valve		6	
21	1802 0227	Molla Valvola Mandata	Delivery Valve Spring		3	
22	1205 0033	Gabbia Valvola Mandata	Delivery Valve Cage	Bianca / White	3	
23	3202 0311	Kit Tappo +OR	Cap + O-Ring		6	
24	1210 0151	Guarnizione OR	O-Ring	Ø1,78x17,17	6	
25	2803 0435	Kit Raccordo Asp. Deterg.	Chem. Coupling Kit		1	
26	2803 0424	Raccordo Asp. Deterg.	Chem. Coupling		1	
27	3003 0026	Sfera	Ball		1	
28	1802 0180	Molla Detergente	Detergent Spring		1	
29	1215 0584	Kit Valvola Reg. + Sede	Reg. Valve Kit + Seat		1	9/130TS - 11/110TS 12/100TS - 11/110
	1215 0585	Kit Valvola Reg. + Sede	Reg. Valve Kit + Seat		1	10/140TS - 13/170TS 15/150TS - 15/150
	1215 0586	Kit Valvola Reg. + Sede	Reg. Valve Kit + Seat		1	11/190TS
30	5033 0010	Kit Easy Start	Easy Start Kit		1	
31	3202 0319	Tappo Easy Start	Easy Start Cap		1	
32	1210 0463	Guarnizione OR	O-Ring	Ø2x6	1	
33	3003 0033	Sfera	Ball	Ø9/32	1	
34	1210 0463	Guarnizione OR	O-Ring	Ø2x6	1	
35	1802 0277	Molla	Spring		1	
36	0009 0193	Anello Pressione	Packing Head Ring	Ø18	3	
37	1241 0022	Guarnizione Tenuta	Packing	Ø18	3	
38	1241 0028	Guarnizione Tenuta	Packing	Ø18	3	
39	0009 0197	Anello Portaguarniz.	Packing Retainer	Ø18	3	
40	1210 0223	Guarnizione OR	O-Ring	Ø1,8x26,7	3	
41	0019 0095	Anello Tenuta	Oil Seal	Ø15x24x5	3	
42	3609 0088	Vite	Screw	M5x10	3	
43	1004 0012	Flangia Tenuta	Crankcase Flange		1	
44	0402 0360	Coperchio Trasparente	Transparent Cover		1	
45	1210 0386	Guarnizione OR	O-Ring	Ø3,52x44,04	1	
46	3019 0011	Seeger Esterno	Outer Seeger	Ø20	1	
47	0438 0066	Cuscinetto a Sfere	Ball Bearing	Ø20x52x15	1	9/130TS - 11/110TS 12/100TS - 11/110
	0438 0069	Cuscinetto a Sfere	Ball Bearing	Ø20x52x15	1	10/140TS - 13/170TS 15/150TS - 11/190TS 15/150
48	0403 0328	Carter Pompa	Pump Crankcase		1	
49	3625 0098	Vite	Screw	M5x14	2	
50	3200 0086	Kit Tappo	Cap Kit		1	
51	2803 0620	Raccordo	Coupling		1	
52	1210 0091	Guarnizione OR	O-Ring	Ø2,62x11,91	1	
53	1210 0170	Guarnizione OR	O-Ring	Ø1,78x10x82	1	
54	0600 0048	Dado Speciale	Special Bolt		3	
55	2811 0080	Rondella	Washer	Ø8,2x14x1,5	3	
56	0202 0018	Bussola Ceramica	Ceramic Bushing	Ø18	3	
57	2812 0038	Rondella	Washer	Ø22x0,5	3	
	2812 0132	Rondella	Washer	Ø16x1	3	Solo/Only 15/150TS-15/150
58	1210 0055	Guarnizione OR	O-Ring	Ø1,78x6,07	3	
59	3011 0014	Spinotto	Gudgeon Pin		3	
60	2409 0044	Pistone Guida	Piston Guides		3	

N°	Cod.	Descrizione	Description	Note	Q.ty	Model
61	0205 0048	Kit Biella	Con. Rod Assembly		3	9/130TS - 11/110TS 12/100TS - 11/110
	0205 0050	Kit Biella	Con. Rod Assembly		3	10/140TS - 13/170TS 15/150TS - 11/190TS 15/150
62	3019 0033	Seeger Esterno	Outer Seeger	Ø28	1	
63	3201 0026	Spia Livello Olio	Oil Indicator		1	
64	1210 0333	Guarnizione OR	O-Ring	Ø1,78x23,52	1	
65	1210 0621	Guarnizione OR	O-Ring	Ø3x94	1	
66	3609 0041	Vite	Screw	M6x25	4	
67	0402 0142	Coperchio Carter	Crankcase Cover		1	
68	1602 0045	Linguetta	Key	8x7x25	1	
69	0438 0075	Cuscinetto a Sfere	Ball Bearing	Ø25x62x17	1	9/130TS - 11/110TS 12/100TS - 11/110
	0438 0071	Cuscinetto a Sfere	Ball Bearing	Ø25x62x17	1	10/140TS - 13/170TS 15/150TS - 11/190TS 15/150
70	3019 0006	Seeger Esterno	Outer Seeger	Ø25	1	
71	3020 0012	Seeger Interno	Inner Seeger	Ø62	1	
72	0019 0094	Anello Tenuta	Oil Seal	25x62x10/7	1	
73	0001 0333	Albero Passante	Throughshaft	Ø24	1	9/130TS
	0001 0290	Albero Passante	Throughshaft	Ø24	1	11/110TS - 11/190TS 11/110
	0001 0405	Albero Passante	Throughshaft	Ø24	1	12/100TS
	0001 0401	Albero Passante	Throughshaft	Ø24	1	10/140TS
	0001 0294	Albero Passante	Throughshaft	Ø24	1	13/170TS
	0001 0473	Albero Passante	Throughshaft	Ø24	1	15/150TS - 15/150
74	1210 0441	Guarnizione OR	O-Ring	Ø2x14	1	
75	3200 0007	Tappo	Plug	G3/8"	1	
76	3200 0017	Tappo	Plug	1/8x8	1	
77	2811 0084	Rondella	Washer	Ø16,7x22x1,5	1	
78	3200 0007	Tappo	Plug	G3/8"	1	
79	0111 0006	Kit Asta Total Stop	Total Stop Rod Kit		1	13/170TS - 15/150TS 11/190TS
	0111 0010	Kit Asta Total Stop	Total Stop Rod Kit		1	9/130TS - 11/110TS 12/100TS - 10/140TS 11/110
80	2811 0127	Rondella Rame	Copper Washer	Ø14x18x1,5	1	
81	3605 0117	Vite Speciale	Special Screw		1	
82	0009 0229	Anello	Ring		1	
83	2416 0112	Protezione Interruttore	Switch Protection		1	
84	3001 0538	Scatola Total Stop	Total Stop Box		1	
85	1201 0137	Guarnizione	Gasket	PG11	1	
86	1200 0056	Galletto	Ring Nut	PG11	1	
87	1825 0018	Interruttore Total Stop	Total Stop Switch	MNF	1	9/130TS - 11/110TS 12/100TS - 10/140TS 11/110
	1825 0010	Interruttore Total Stop	Total Stop Switch	TRF	1	13/170TS - 15/150TS 11/190TS
88	1201 0136	Guarnizione OR	O-Ring	Ø2x118,5	1	
89	0402 0200	Coperchio	Cover		1	
90	3625 0048	Vite	Screw	3x10	3	
91	1202 0066	Gancio ad "U"	"H" Hook		1	
92	0456 0264	Cavo Total Stop	Total Stop Cable	2x2,5 - MNF	1	9/130TS - 11/110TS 12/100TS - 10/140TS 11/110
	0456 0326	Cavo Total Stop	Total Stop Cable	2x1,5 - TRF	1	13/170TS - 15/150TS 11/190TS
101	1220 0194	Gruppo Valv. Aspirazione	Suction Valve Ass.y kit	Nero / Black	3	
102	1802 0192	Molla Valv. Aspirazione	Suction Valve Spring		3	
103	1205 0078	Gabbia Valv. Aspirazione	Suction Valve Cage	Nero / Black	3	

### Kit Ricambi Spare Parts Kit

120	3103 0023	Kit Total Stop Completo	Complete Total Stop Kit	MNF	1	9/130TS - 11/110TS 12/100TS - 10/140TS 11/110
	3103 0038	Kit Total Stop Completo	Complete Total Stop Kit	TRF	1	13/170TS - 15/150TS 11/190TS
121	2409 0072	Kit Pistone	Piston kit	Ø18	1	
	2409 0276	Kit Pistone	Piston kit	Ø18	1	Solo / Only 15/150TS - 15/150
122	5025 0057	Kit Valvole	Valve Kit		1	
123	5019 0037	Kit Guarnizioni Acqua	Water Seal Kit	Ø18	1	
124	5019 0240	Kit Guarnizioni Olio	Oil Seal Kit		1	



N°	Cod.	Descrizione	Description	Note	Q.ty	Model
1	3202 0281	Tappo	Cap		1	
2	1817 0069	Manopola	Knob		1	
3	0009 0263	Anello	Ring		1	
4	0402 0245	Coperchio	Cover		1	
5	1802 0224	Fissaggio Condensatore	Condenser Holder		1	
6	0434 0328	Condensatore	Condenser	60µF	1	9/130TS-11/110TS 12/100TS
	0434 0336	Condensatore	Condenser	80µF	1	10/140TS
7	1201 0143	Guarnizione Scatola El.	Electrical Box Gasket		1	
8	0601 0292	Distanziale	Spacer		1	9/130TS-11/110TS 12/100TS
9	1210 0394	Guarnizione OR	O-Ring	Ø2x25	1	
10	3003 0007	Sfera	Ball		1	
11	1802 0195	Molla (Filo Ø1)	Spring (Wire Ø1)	Ø8x16	1	
12	1600 0079	Leva Interruttore	Switch Lever		1	
13	3225 0092	Teleruttore	Remote Control Switch	18A 230V 50/60Hz	1	9/130TS-11/110TS 12/100TS-10/140TS
	3225 0093	Teleruttore	Remote Control Switch	18A 400V 50/60Hz	1	13/170TS-15/150TS 11/190TS
14	1201 0134	Guarnizione	Gasket		1	
15	3607 0098	Vite	Screw	M6x20	4	
16	1831 0624	Motore Elettrico	Electric Motor	MNF 230V 50/60Hz 3CV	1	9/130TS-11/110TS 12/100TS
	1831 0592	Motore Elettrico	Electric Motor	MNF 230V 50/60Hz3,3CV	1	10/140TS
	1831 0658	Motore Elettrico	Electric Motor	TRF 400V 50/60Hz5,5CV	1	13/170TS-15/150TS 11/190TS
17	0456 0260	Cavo Elettrico	Electrical Cable	3Gx1,5 mm² MNF	1	9/130TS-11/110TS 12/100TS-10/140TS
	0456 0350	Cavo Elettrico	Electrical Cable	4Gx1,5 mm² TRF	1	13/170TS-15/150TS 11/190TS
18	2434 0036	Pressacavo	Cable Holder	PG11	1	9/130TS-11/110TS 12/100TS-10/140TS
	2434 0007	Pressacavo	Cable Holder	PG13,5	1	13/170TS-15/150TS 11/190TS

N°	Cod.	Descrizione	Description	Note	Q.ty	Model
19	2434 0036	Pressacavo	Cable Holder	PG11	1	
20	1201 0127	Guarnizione Scatola Elet.	Electrical Box Gasket		1	
21	3001 0558	Scatola Elettrica	Electrical Box	PG11	1	9/130TS-11/110TS 12/100TS-10/140TS
	3001 0153	Scatola Elettrica	Electrical Box	PG13	1	13/170TS-15/150TS 11/190TS
22	1227 0028	Ghiera	Ring Nut	PG11	1	9/130TS-10/140TS 11/110TS-12/100TS
23	2434 0036	Pressacavo	Cable Holder	PG11	1	9/130TS-10/140TS 11/110TS-12/100TS
24	3625 0049	Vite	Screw	M5x12	4	
25	1410 0061	Interruttore	Switch	16A	1	9/130TS-11/110TS 12/100TS
	1410 0066	Interruttore	Switch	18A	1	10/140TS
	1410 0136	Interruttore	Switch	20A	1	13/170TS-15/150TS 11/190TS
26	3043 0010	Scheda Elettrica	Electrical Board		1	
27	3002 0869	Supporto Scheda	Board Support		1	
28	0418 0044	Fermo Interruttore	Switch Holder		1	
29	1227 0028	Ghiera	Ring Nut	PG11	1	
30	1227 0028	Ghiera	Ring Nut	PG11	1	9/130TS-11/110TS 12/100TS-10/140TS
	1227 0027	Ghiera	Ring Nut	PG13,5	1	13/170TS-15/150TS 11/190TS
31	3605 0154	Vite Speciale	Special Screw	Ø4x25	6	
32	1610 1712	Schema Elettrico	Electrical Diagram	MNF	1	9/130TS-11/110TS 12/100TS-10/140TS
	1610 1711	Schema Elettrico	Electrical Diagram	TRF	1	13/170TS-15/150TS 11/190TS
40	0402 0249	Coperchio Scatola Elett.	Electrical Box Cover		1	
41	2434 0056	Pressacavo	Cable Holder	M20x1.5	1	11/110-15/150
42	1201 0127	Guarniz. Scatola Elett.	Electrical Box Gasket		1	
43	0434 0328	Condensatore	Condenser	60µF	1	